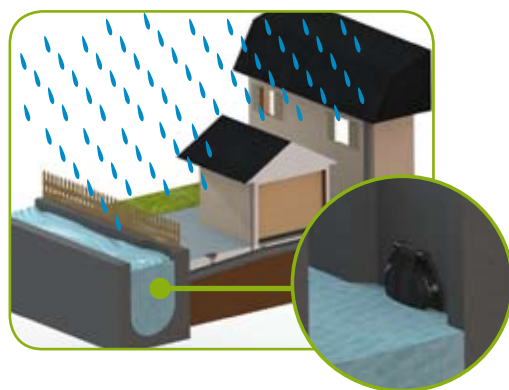


PRODUCT ADVANTAGES

- **Anti-Return** : Protection from backwater flooding through underground drainage pipes
- **Watertight** : resistant up to 1 bar (10 m head), back pressure; integral rubber seals easily replaced if damaged
- **Corrosion resistant** : high resistance to corrosion and UV degradation
- **Light weight** : easy installation

BACK WATER PREVENTION



NORHAM

DESIGNER & SUPPLIER

Z.A DRUISIEUX — 26260 SAINT DONAT SUR L'HERBASSE - FRANCE

TÉL : +33(0)4 75 45 00 00 - FAX : +33(0)4 75 45 17 05 — www.norham.fr



COUPLINGS
& SEALS

PLUGS

NON-RETURN
AND FLAP VALVES

PENSTOCKS &
REGULATORS

The straight flap valve **ECO-FLAP®** protects **residential areas** from **floor damage due to backflow** through drainage pipes.

The flap valve **ECO-FLAP®** is designed mainly for houses located **near streams, rivers, waterways or seawater**.

Installed on the **end of pipelines**, **ECO-FLAP®** prevent backwards **water from flowing** through drainage pipes.

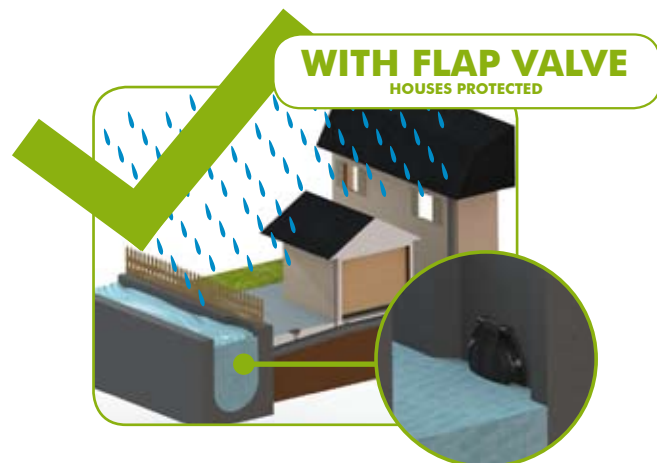
Embankments containing underground pipes should be systematically protected from backwater flooding.



INSTALLATION

ECO-FLAP® is designed to be installed on the **end of pipelines**.

- on a **vertical wall mounting** (stainless steel anchor bolts provided)
- on a **flange ISO PN 10** (bolts not provided)
- **OPERATING HEAD** : The heads required to open the flap :
ND100 = 10 mm
ND150 = 15 mm
ND200 = 20 mm
- **GENERAL LOCATIONS** : Flap valves should be fixed so as to avoid the accumulation of debris around the invert which could prevent the valve closing.



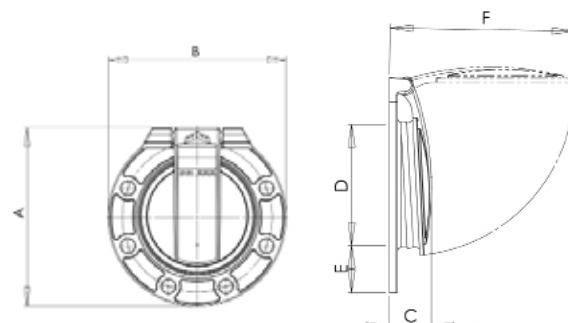
TECHNICAL DATAS

- Back pressure : resist to **1 bar** (10m head)
- Materials : **Glass reinforced Polyamide** (PA6-20FDV) recycled ♻️, **EPDM** seal and stainless steel EN10088-2 Grade 1.4401 (316) anchor bolts

DIMENSIONS

| Ref. | ND | A | B | C | D | E | F | Weight |
|---------------|-----|-----|-----|----|-----|----|-----|--------|
| EF100B | 100 | 225 | 220 | 45 | 110 | 55 | 188 | 0,4 |
| EF150B | 150 | 285 | 285 | 55 | 160 | 63 | 244 | 0,6 |
| EF200B | 200 | 342 | 342 | 65 | 200 | 75 | 296 | 0,9 |

* Dimensions in mm, Weight in Kg.



Z.A DRUISIEUX
26260 ST DONAT
SUR L'HERBASSE - FRANCE
TÉL : +33(0)4 75 45 00 00
FAX : +33(0)4 75 45 17 05
www.norham.fr

YOUR DISTRIBUTOR :